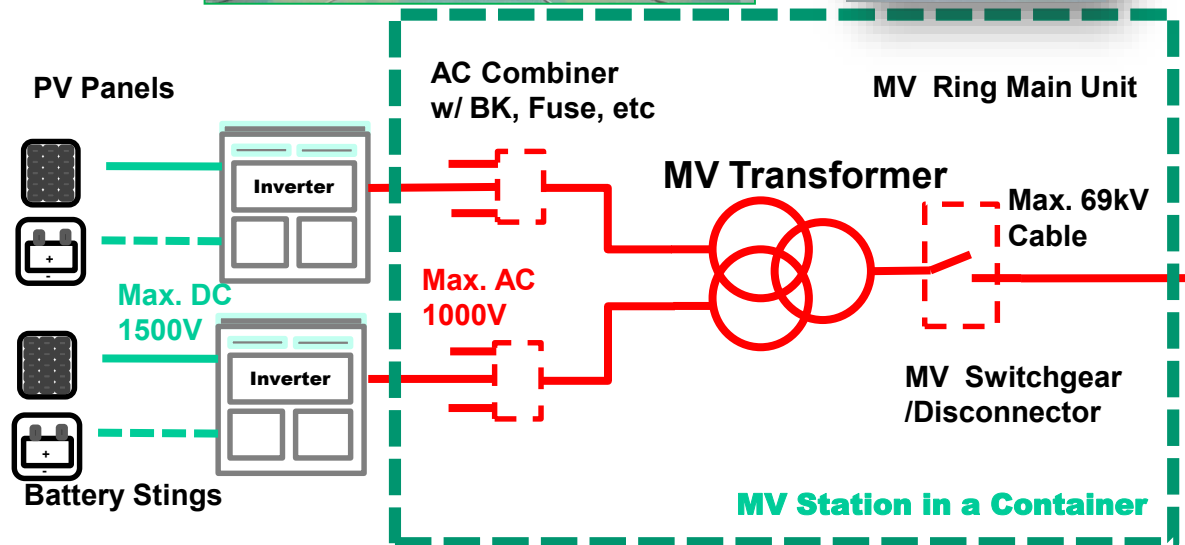


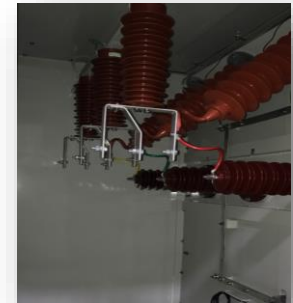
# MV Power Station for Utility Solar

- 600-1500V AC or DC step up to 34.5kV / 69kV station
- Capacity: 1000 stations/month with JSHP transformer
- Custom-designed, prefabricated substation per IEC 62271-202(2014)
- Custom-design for the inverter configuration

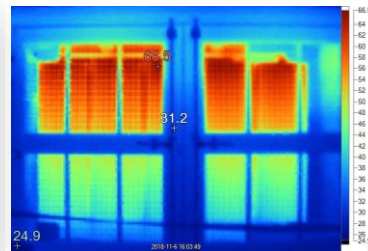


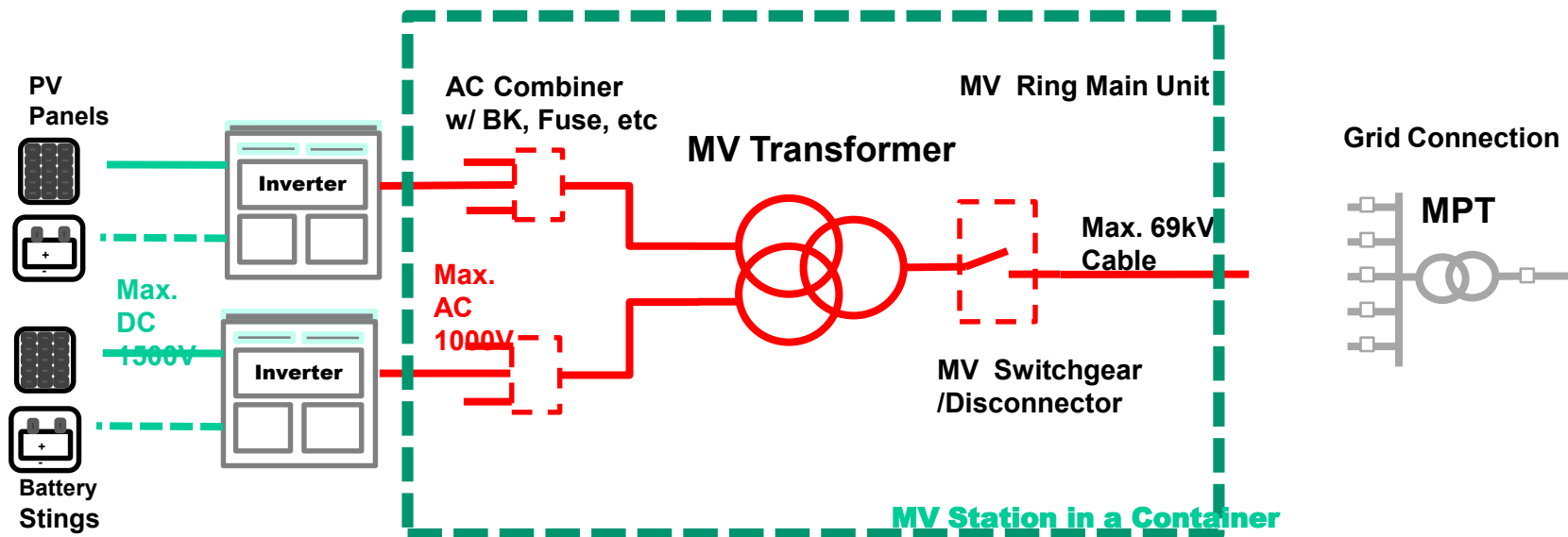
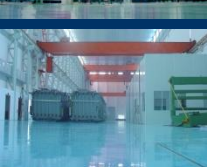
# MV Power Station for Utility Solar

Design & **Tested** at the JSHP factory per prefabricated substation standard IEC 62271-202(2014)

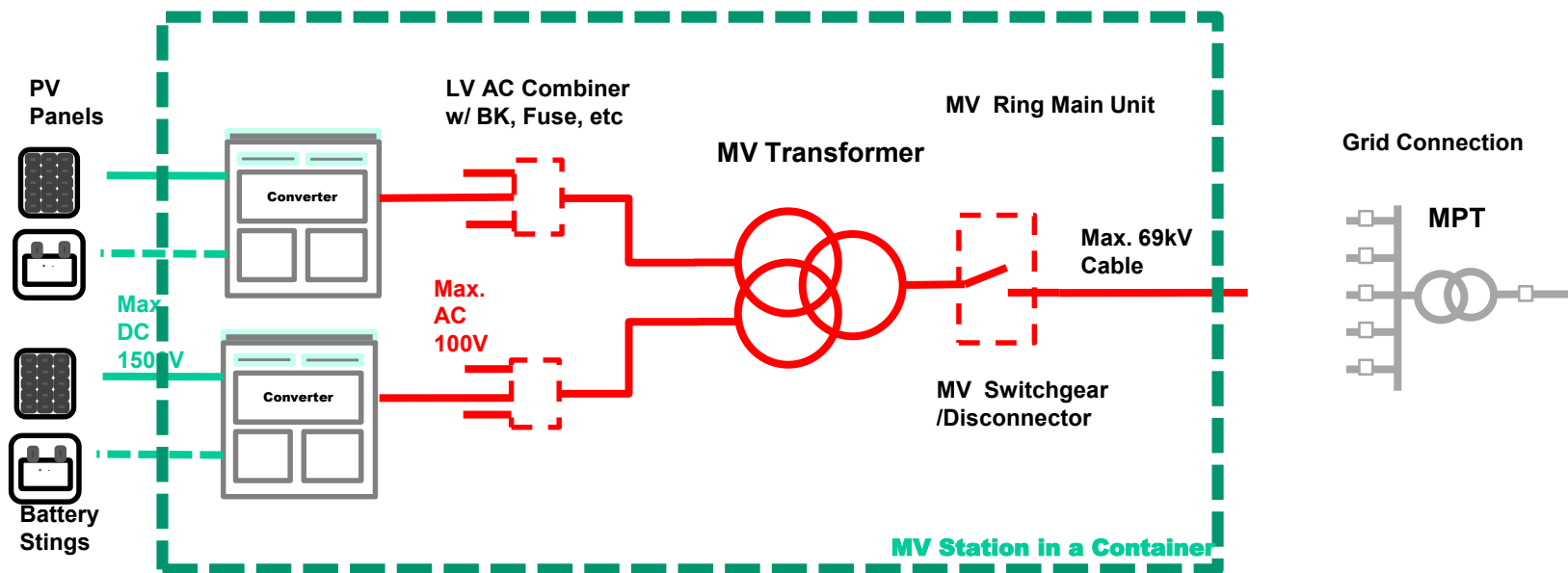


www.jsHP.com





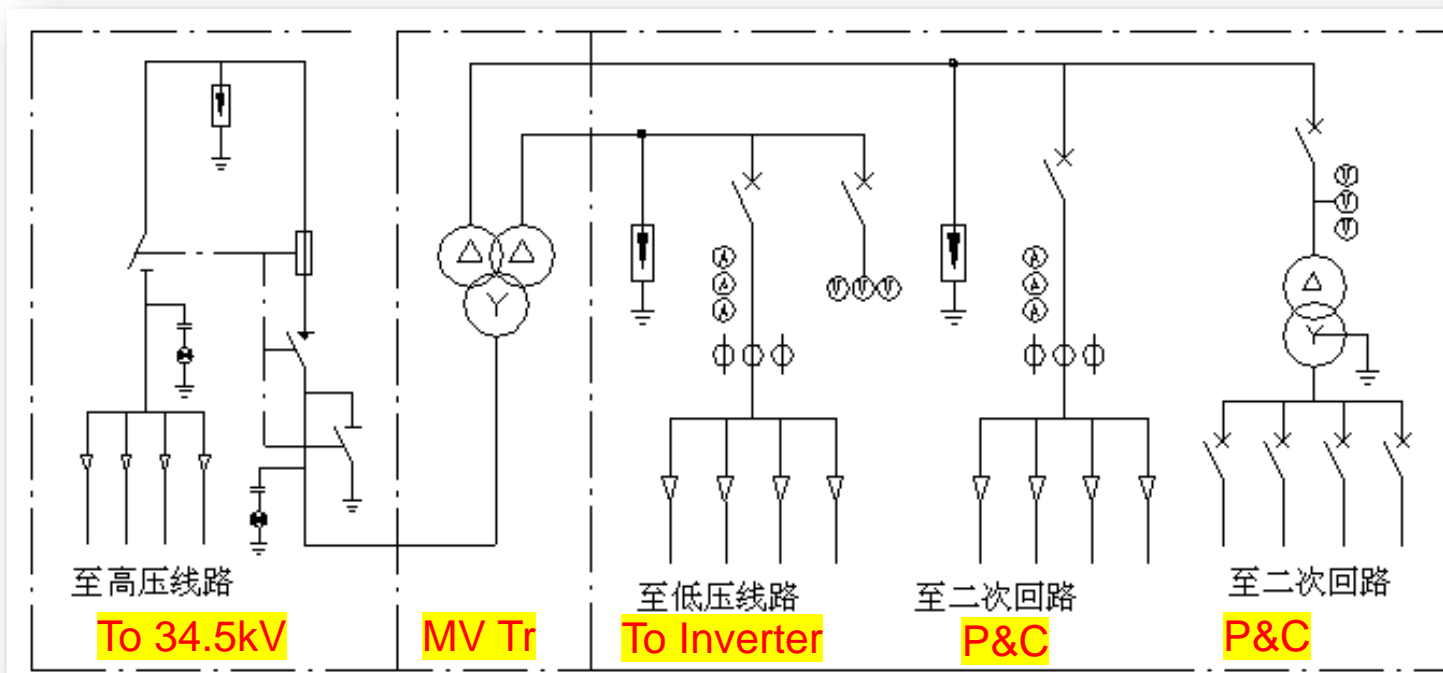
- MV Power Station I – Standalone Central Inverters
  - No DC or Inverters in MV station container
  - One container to include MV transformer, bus/cable connections, breakers, etc.



- MV Power Station II – Standalone Central Inverters
  - DC Inverters in MV station container
  - One container to include Inverter, MV transformer, bus/cable connections, breakers, etc.



www.jsHP.com



MV Chamber

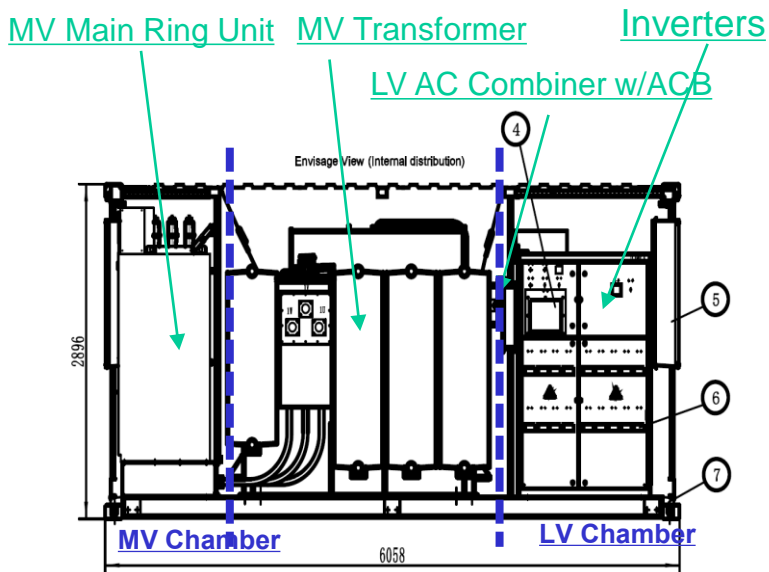
MV TR

LV Chamber

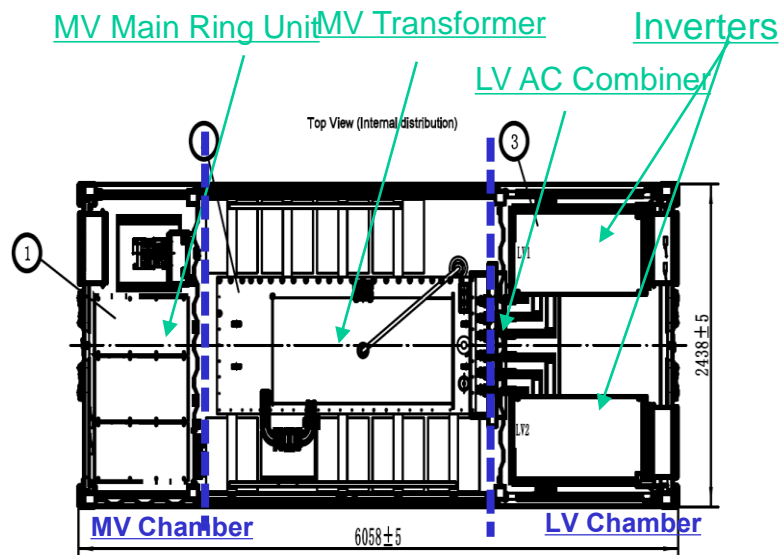


# Typical AC/DC MV Power Station Layout

- 6300 kVA – 2 Inverters, one 20ft Container



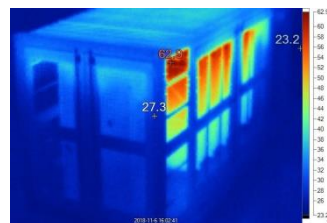
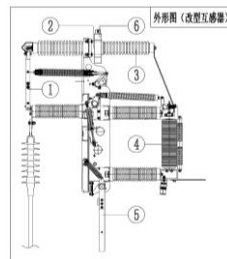
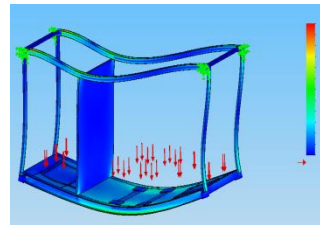
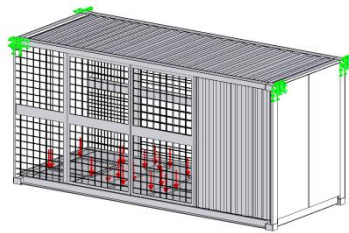
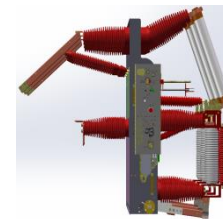
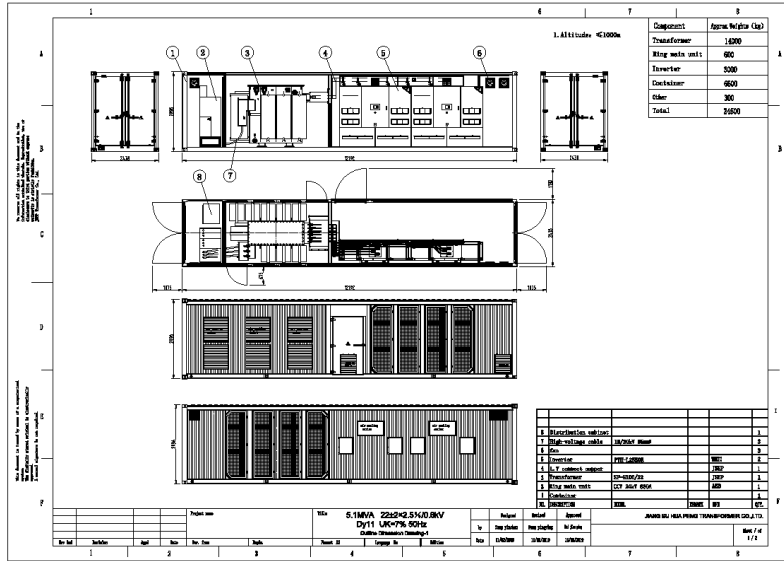
Side View



Top View



## \* Container Design



# +2,000 MV stations delivered world wide



\* Europe

\* USA



\* Asian



JSHP has delivered 40,000+ units of MV transformers

www.jsHP.com

